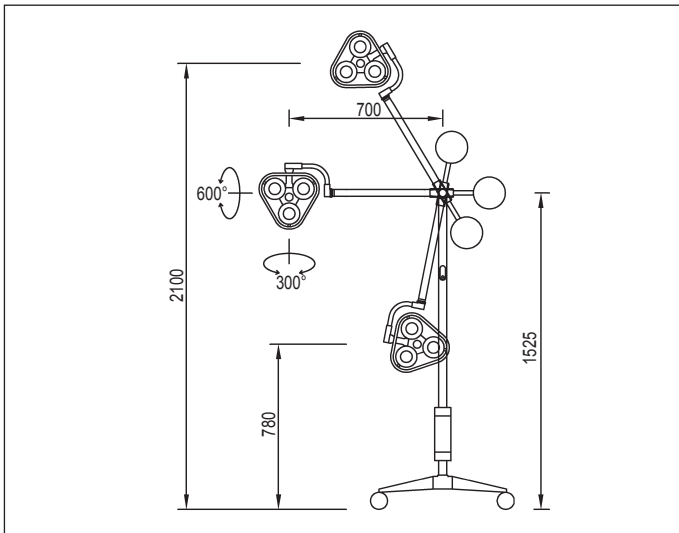


# MSL SERIES 3 MOBILE TROLLEY



Dimensions and range of movement



- Complies with Cardiac Protection requirements.
- Optional Colour Correction Filters for Halogen Lamps - to specify add /CCF.
- Three Metre Power Cord with Hospital Grade Plug.
- Compact five leg base with two opposing braked wheels for increased stability.
- Heavy duty 75mm dia. wheels are standard.  
Note: They are an optional extra on Series 1 model.
- For additional information see separate installation and instruction leaflet.

## LIGHT SOURCES

LED	3 x 15W to specify <b>MSL315M</b>
Halogen	3 x 35W IRC to specify <b>MSL335M</b> 3 x 50W IRC to specify <b>MSL350M</b>

## WATTAGE/ILLUMINATION

LED	3 x 15W - 80,800 lux @ 600mm 3 x 15W - 53,200 lux @ 1000mm
Halogen (IRC)	3 x 35W - 54,000 lux @ 600mm 3 x 35W - 28,476 lux @ 1000mm 3 x 50W - 64,800 lux @ 600mm 3 x 50W - 35,300 lux @ 1000mm

## BEAM DIAMETER

LED	3 x 15W - 127mm* @ 600mm 3 x 15W - 132mm* @ 1000mm
Halogen (IRC)	3 x 35W - 140mm* @ 600mm 3 x 35W - 180mm* @ 1000mm 3 x 50W - 170mm* @ 600mm 3 x 50W - 210mm* @ 1000mm

(\* measured at 50% of peak value)

## COLOUR TEMPERATURE

LED	3 x 15W - 4547°K
Halogen (IRC)	3 x 35W - 3034°K
- without colour correction filter	3 x 50W - 3080°K
- with colour correction filter	3 x 35W - 4059°K 3 x 50W - 4180°K

## COLOUR RENDERING INDEX (CRI)

LED	93
Halogen (IRC)	98

## SERVICE LIFE (DEPENDING ON HOURLY USE)

LED	35,000 - 50,000 hrs
Halogen	2,000 - 4,000 hrs

## VOLTAGE

LED	36 VDC
Halogen	12 V

## WEIGHT (APPROX.)

Mobile Mount 23 kg