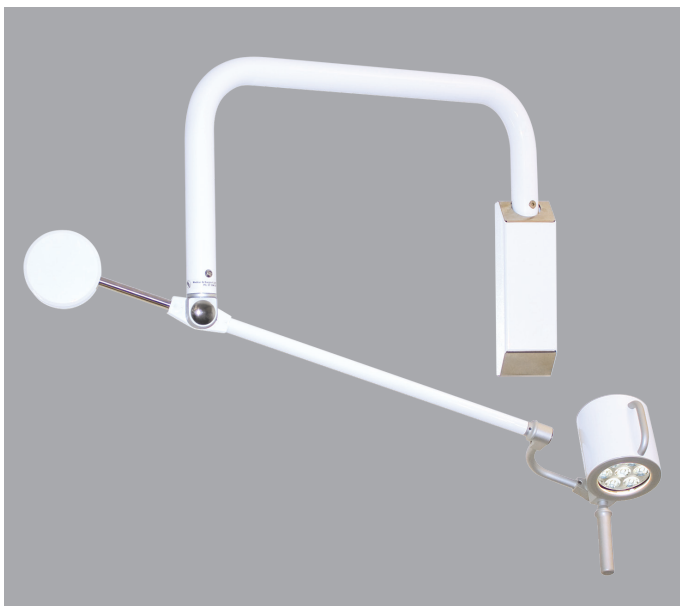
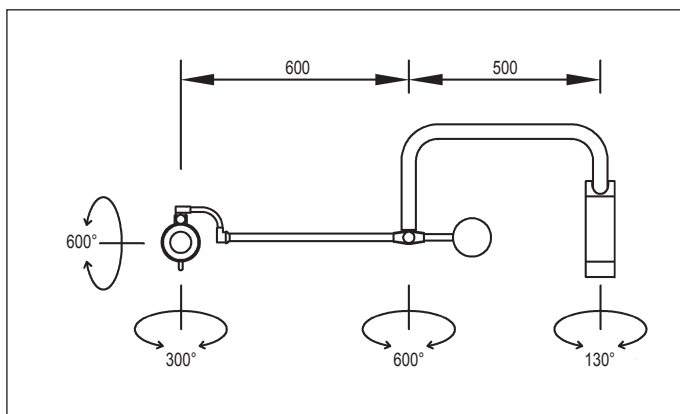


MSL SERIES 1 WALL MOUNT



Dimensions and range of movement



- **Complies with Cardiac Protection requirements.**
- **Optional Colour Correction Filters** for Halogen Lamps
- to specify add /CCF.
- **Optional Power Cord with Hospital Grade Plug**
- to specify add /FP.

Note: Length of cord to be nominated at time of order.

LIGHT SOURCES

LED	1 x 15W to specify MSL115W
Halogen	1 x 35W IRC to specify MSL135W 1 x 50W IRC to specify MSL150W

WATTAGE/ILLUMINATION

LED	1 X 15W - 44,900 lux @ 600mm 1 x 15W - 18,800 lux @ 1000mm
Halogen (IRC)	1 X 35W - 32,000 lux @ 600mm 1 x 35W - 11,000 lux @ 1000mm 1 x 50W - 39,100 lux @ 600mm 1 x 50W - 14,000 lux @ 1000mm

BEAM DIAMETER

LED	1 X 15W - 82mm* @ 600mm 1 x 15W - 127mm* @ 1000mm
Halogen (IRC)	1 X 35W - 110mm* @ 600mm 1 x 35W - 180mm* @ 1000mm 1 x 50W - 120mm* @ 600mm 1 x 50W - 190mm* @ 1000mm

(* measured at 50% of peak value)

COLOUR TEMPERATURE

LED	1 x 15W - 4546°K
Halogen (IRC)	1 x 35W - 3030°K
- without colour correction filter	1 x 50W - 3080°K
- with colour correction filter	1 x 35W - 4100°K
	1 x 50W - 4185°K

COLOUR RENDERING INDEX (CRI)

LED	93
Halogen (IRC)	98

SERVICE LIFE (DEPENDING ON HOURLY USE)

LED	35,000 - 50,000 hrs
Halogen	2,000 - 4,000 hrs

VOLTAGE

LED	36 VDC
Halogen	12 V

WEIGHT (APPROX.)

Wall Mount 9 kg

- **For additional information see separate installation and instruction leaflet.**