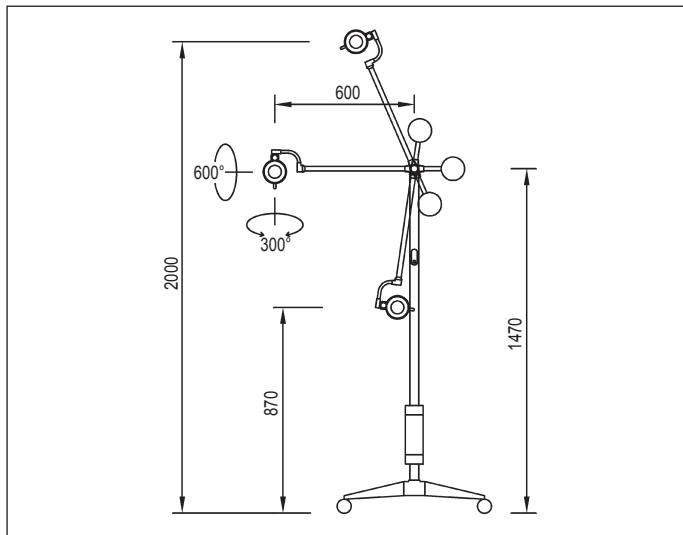


MSL SERIES 1 MOBILE TROLLEY



Dimensions and range of movement



- Complies with Cardiac Protection requirements.
- Optional Colour Correction Filters for Halogen Lamps - to specify add /CCF.
- Three Metre Power Cord with Hospital Grade Plug.
- Compact five leg base with two opposing braked wheels for increased stability.
- Standard wheels supplied are 50mm dia. Optional heavy duty 75mm dia. wheels are available - to specify add /HDW.
- For additional information see separate installation and instruction leaflet.

LIGHT SOURCES

LED	1 x 15W to specify MSL115M
Halogen	1 x 35W IRC to specify MSL135M 1 x 50W IRC to specify MSL150M

WATTAGE/ILLUMINATION

LED	1 X 15W - 44,900 lux @ 600mm 1 x 15W - 18,800 lux @ 1000mm
Halogen (IRC)	1 X 35W - 32,000 lux @ 600mm 1 x 35W - 11,000 lux @ 1000mm 1 x 50W - 39,100 lux @ 600mm 1 x 50W - 14,000 lux @ 1000mm

BEAM DIAMETER

LED	1 X 15W - 82mm* @ 600mm 1 x 15W - 127mm* @ 1000mm
Halogen (IRC)	1 X 35W - 110mm* @ 600mm 1 x 35W - 180mm* @ 1000mm 1 x 50W - 120mm* @ 600mm 1 x 50W - 190mm* @ 1000mm

(* measured at 50% of peak value)

COLOUR TEMPERATURE

LED	1 x 15W - 4546°K
Halogen (IRC)	1 x 35W - 3030°K
- without colour correction filter	1 x 50W - 3080°K
- with colour correction filter	1 x 35W - 4100°K 1 x 50W - 4185°K

COLOUR RENDERING INDEX (CRI)

LED	93
Halogen (IRC)	98

SERVICE LIFE (DEPENDING ON HOURLY USE)

LED	35,000 - 50,000 hrs
Halogen	2,000 - 4,000 hrs

VOLTAGE

LED	36 VDC
Halogen	12 V

WEIGHT (APPROX.)

Mobile Mount 15 kg



Medical & Surgical Lighting Pty Ltd
www.mslighting.com.au