

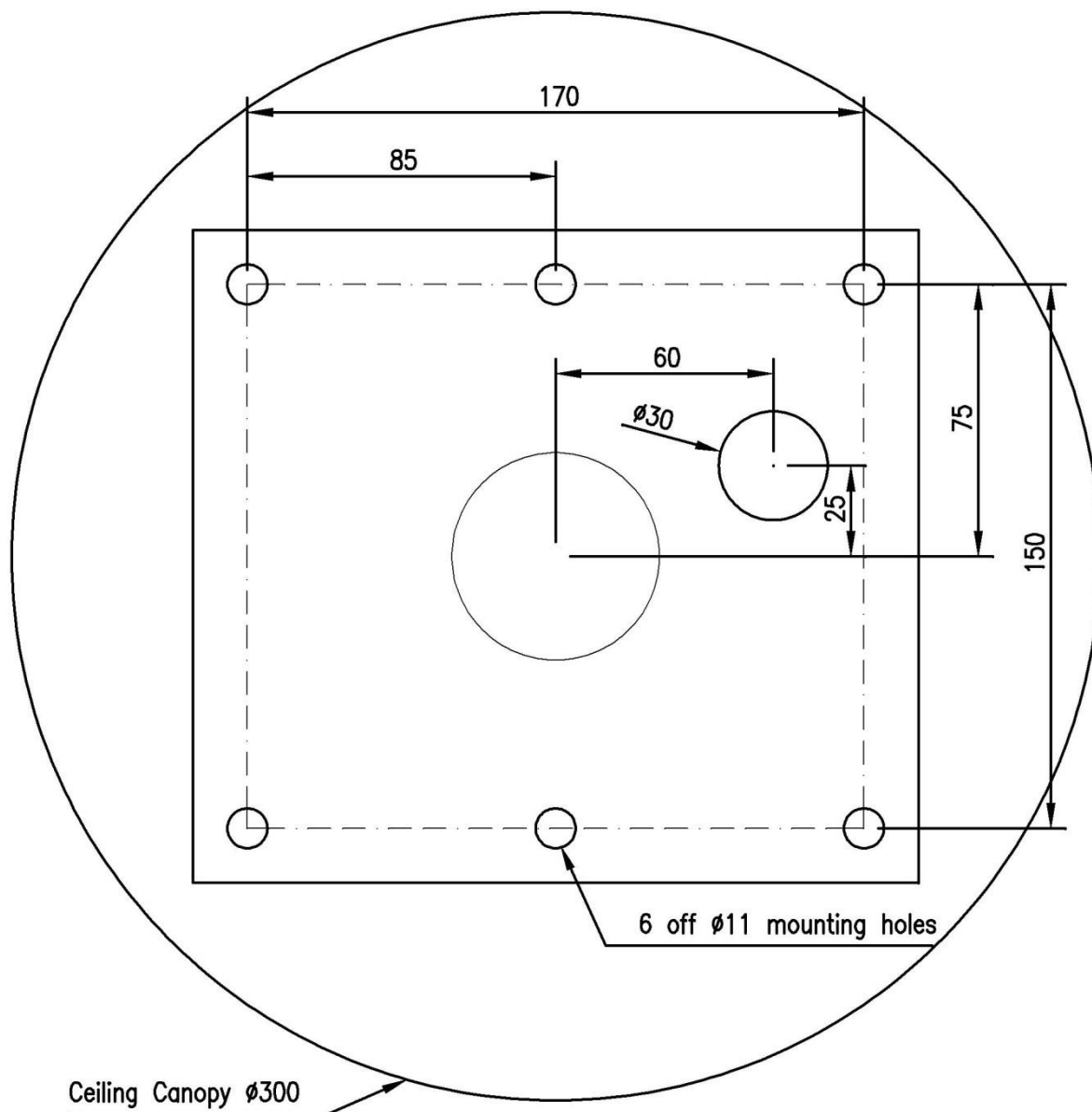
DETAILS FOR MSL SERIES 1 & 3 CEILING MOUNT PLATE

Recommended Fixing

Use 6 x M8 or M10 bolts / screws.

Note:

Cable entry via 30mm dia hole or in any position outside the ceiling plate, Which will be covered by the canopy as shown.



Important:

Install minimum distance from the wall to centre of mount.

Series 1 = 900mm

Series 3 = 1100mm

