

# CEILING MOUNT HEIGHT DETAILS FOR MSL SERIES 1 & 3

To: Medical & Surgical Lighting

Fax (07) 3394-2100

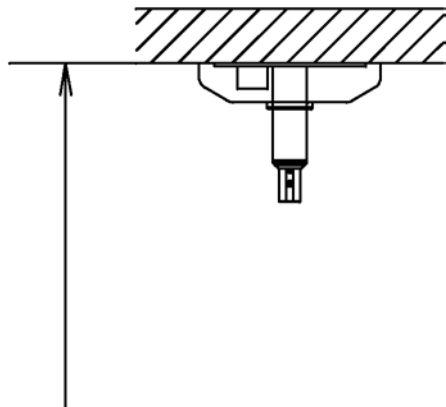
From: .....

Project: .....

Order No: .....

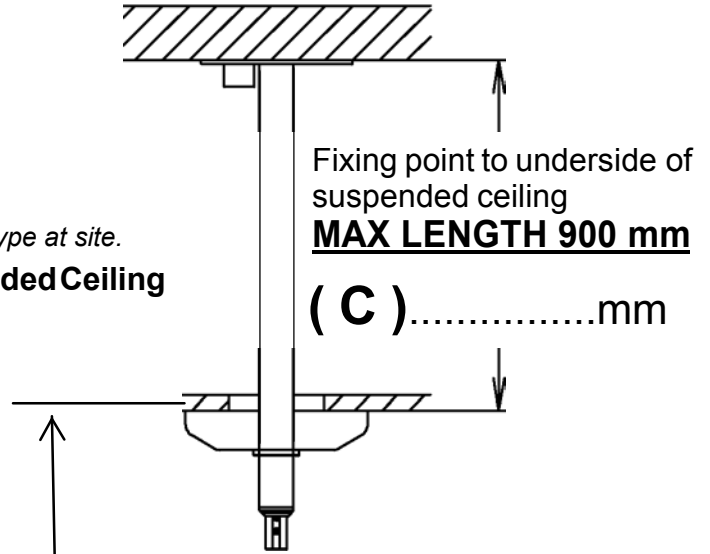
*Provide measurements below on the ceiling type at site.*

**Structural Ceiling (or) Suspended Ceiling**



Floor to underside of ceiling

( A ) .....mm



Fixing point to underside of suspended ceiling  
**MAX LENGTH 900 mm**

( C ) .....mm

Floor to underside of suspended ceiling

( B ) .....mm

**NOTE:**

In certain installations where the distance between the suspended ceiling and fixing point is greater than 900mm, a separate mounting structure may be required to be installed by the client.

See MSL "Cotton Reel Extension" option. Available as a separate PDF download and optional purchase.

Please contact MSL to discuss any queries you might have to achieve the best possible solution.

Floor

For Installations direct to a structural ceiling, please advise dimension **A**

For Installations with a suspended ceiling, please advise dimensions at **B** and **C**

**IMPORTANT:**

As all ceiling mounts are custom made to suit each installation, this form must be completed and returned to MSL prior to manufacture.



Medical & Surgical Lighting Pty Ltd  
www.msllighting.com.au

*Designed and Manufactured in Australia.*